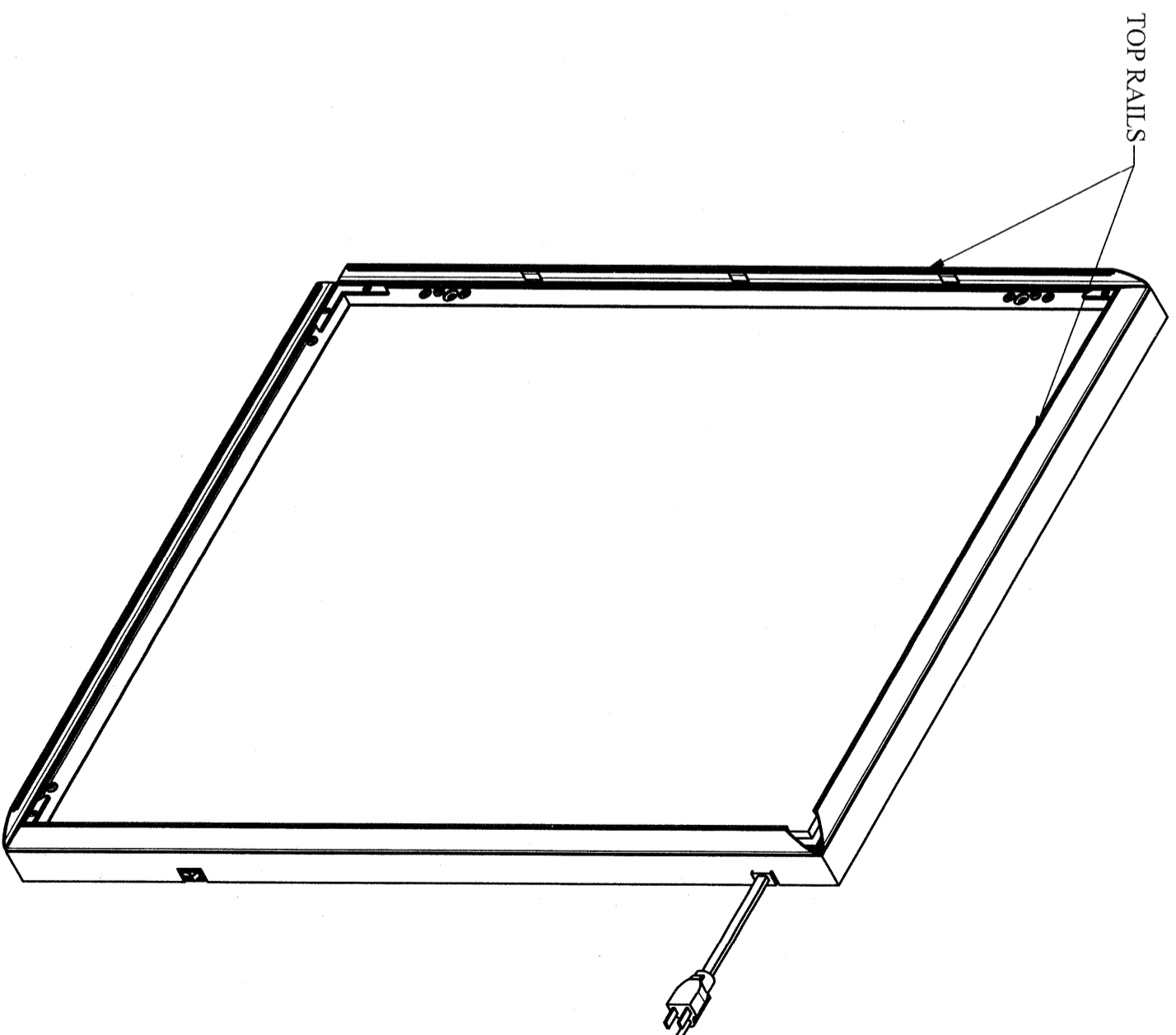


FRONT VIEW RAILS OPEN

INSTALLATION INSTRUCTIONS

- 1) OPEN ALL TOP RAILS
- 2) MOUNT TO WALL USING THE MOUNTING HOLES IN TWO OPPOSITE RAILS, AS SHOWN ON FRONT VIEW
- 3) INSERT GRAPHIC
- 4) CENTER GRAPHIC AND CLOSE ALL RAILS



GRAPHIC CHANGE

- 1) OPEN ALL TOP RAILS
- 2) REMOVE OLD GRAPHIC AND REPLACE WITH NEW GRAPHIC
- 3) CENTER GRAPHIC AND CLOSE ALL RAILS



QUESTIONS ON REPLACING LAMP AND BALLASTS
CALL MDI 1-800-228-8925

SK-04502