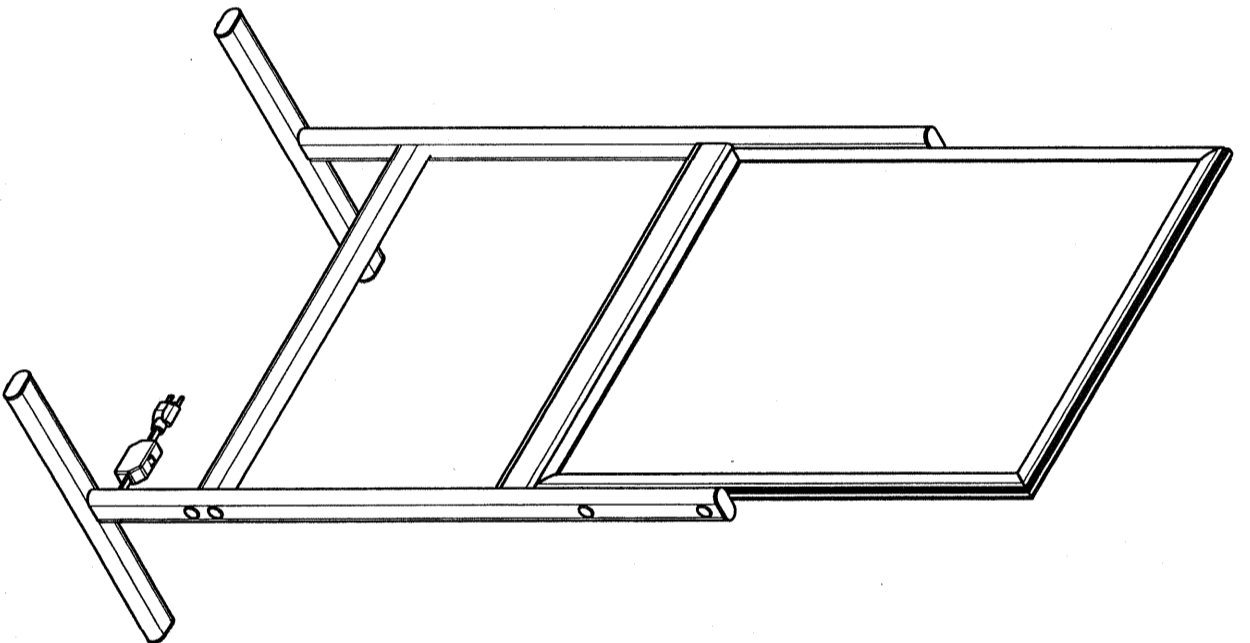


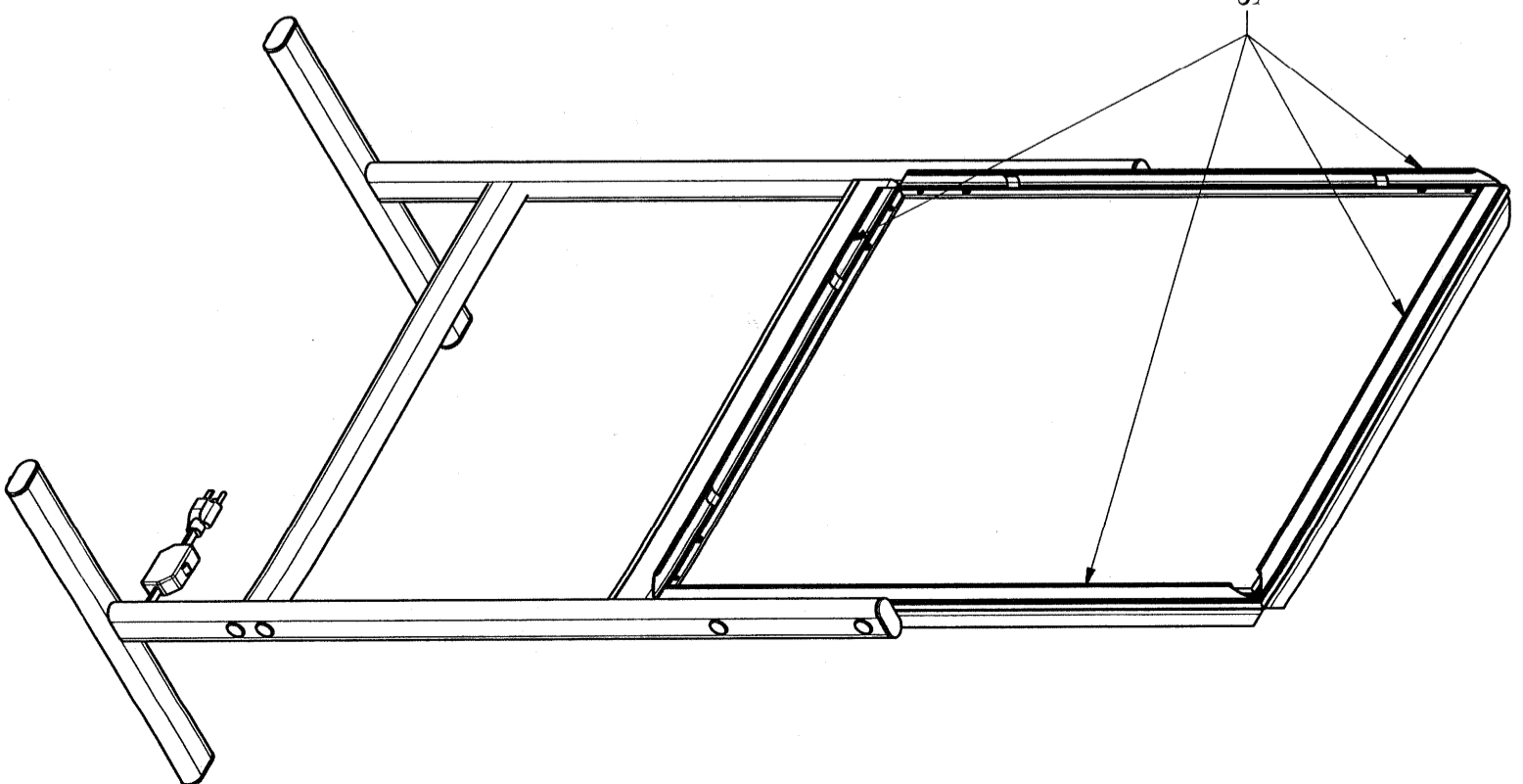
**FOOT ATTACHMENT**

ATTACH FOOT TO UPRIGHT  
BY USING LOCK WASHERS  
AND SCREWS AS SHOWN.



**LOADING AND CHANGING GRAPHICS**

- 1) OPEN POSTERGRIP RAILS.
- 2) CENTER GRAPHIC UNDER RAILS. WHEN POSTERGRIP RAILS CLOSE THEY WILL OVERLAP THE INSERT BY APPROX. 3/8" PER SIDE.
- 3) CLOSE POSTERGRIP RAILS.



**MDI**

QUESTIONS ON REPLACING LAMP AND BALLASTS  
CALL MDI 1-800-228-8925

SK-04467