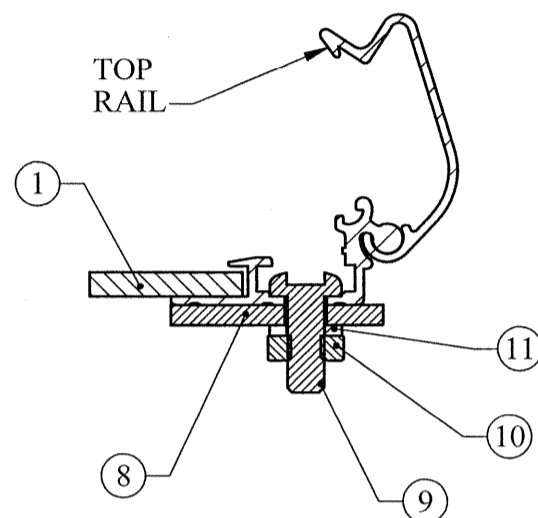
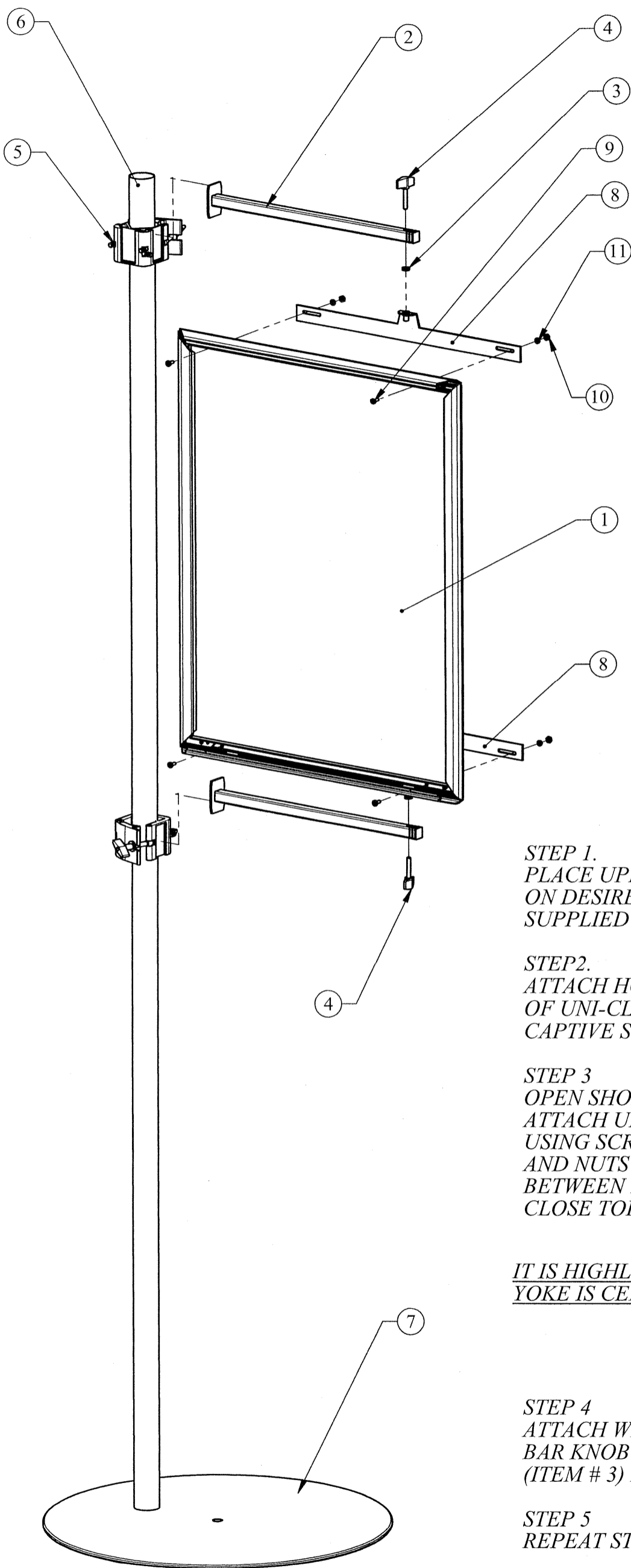


FRAME INSTALLATION WITH YOKE AND ARM

INSTALLATION INSTRUCTION

ITEM	DESCRIPTION	QTY
1	POSTER GRIP FRAME	1
2	HORIZONTAL ARM	2
3	PLASTIC WASHER	2
4	BAR KNOB 1/4-20	2
5	UNI-CLAMP	2
6	POLE	1
7	STEEL BASE	1
8	YOKE	2
9	SCREW	4
10	NUT	4
11	FLAT WASHER	4



FINALIZED POSITIONS FOR YOKE (ITEM #8), FRAME (ITEM #2), AND SCREW #9, NUT #10, FLAT WASHER #11 AFTER IMPLEMENTATION STEPS # 4, 5.

FIG.1

STEP 1.
PLACE UPPER UNI-CLAMP (ITEM #5) ON POLE (ITEM #6) ON DESIRED HEIGHT. LOOSEN CAPTIVE SCREWS SUPPLIED WITH UNI-CLAMP

STEP 2.
ATTACH HORIZONTAL ARM (ITEM #2) INTO A SLOT OF UNI-CLAMP AND TIGHTEN CORRESPONDING CAPTIVE SCREW

STEP 3
OPEN SHORT TOP RAILS (FIG.1) ON FRAME (ITEM #1) AND ATTACH UPPER AND LOWER YOKES TO FRAME USING SCREWS (ITEM # 9), WASHERS (ITEM # 11), AND NUTS (ITEM # 10), AND CENTERED THEM BETWEEN 2 VERTICAL EDGES. CLOSE TOP RAILS.

IT IS HIGHLY RECOMMENDED TO ENSURE TOP & BOTTOM YOKE IS CENTERED EQUALLY ON FRAME

STEP 4
ATTACH WHOLE FRAME ASSEMBLY TO UPPER ARM USING BAR KNOB (ITEM # 4) ABOVE ARM, AND PLASTIC WASHER (ITEM # 3) BETWEEN TAPPED HOLE AND ARM BOTTOM.

STEP 5
REPEAT STEP 1&4 FOR LOWER ARM.

STEP 6
ADJUST 2 UNI-CLAMPS ON POLE TO PLACE FRAME PROPERLY IN HORIZONTAL AND VERTICAL PLANES.



**APPLICATION #3
CENTER MOUNT**

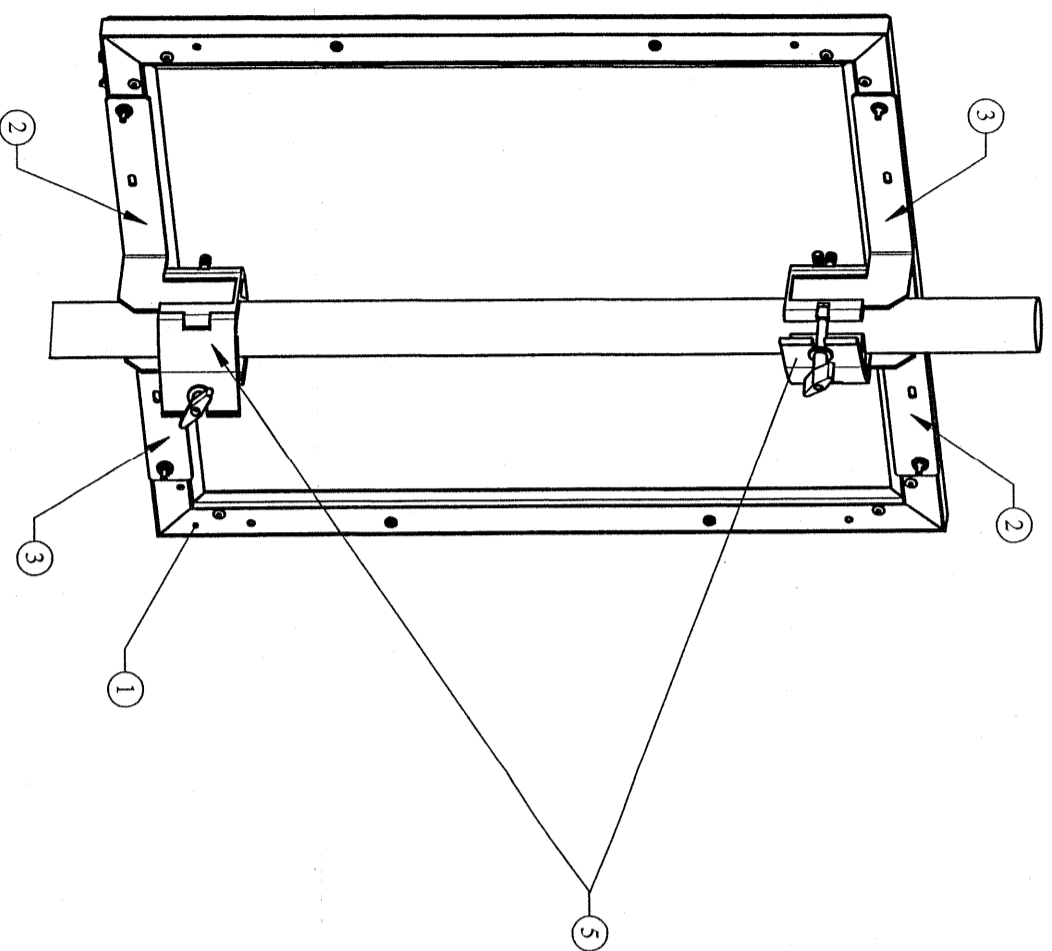


FIG.4
BACK ISOVIEW
AFTER ASSEMBLY

TO INSTALL THIS APPLICATION TYPE USE THE SAME STEPS AS FOR APPLICATION # 1, PAGE 2.

REPEAT STEPS 1, 2 FOR SIDE MOUNT INSTRUCTIONS

STEP 3
INSTALL (2) UPPER BRACKETS TO LIGHT PANEL WITH PROPER ORIENTATION (SEE FIG.4)

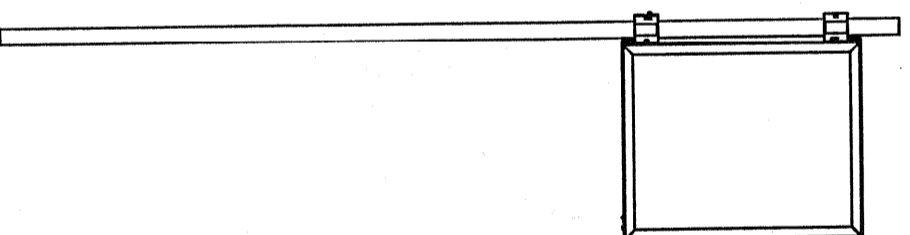
REPEAT STEPS 4 AND 5 FOR SIDE MOUNT INSTRUCTIONS

STEP 6
PLACE (2) LOWER BRACKETS TO LIGHT PANEL USING MOUNTING HOLES AND HARDWARE.
DON'T TIGHTEN HARDWARE FIRMLY UNTIL FULL PANEL ADJUSTMENT IS COMPLETED IN STEP 7
REPEAT STEPS 6 THROUGH 8 FOR SIDE MOUNT INSTRUCTIONS

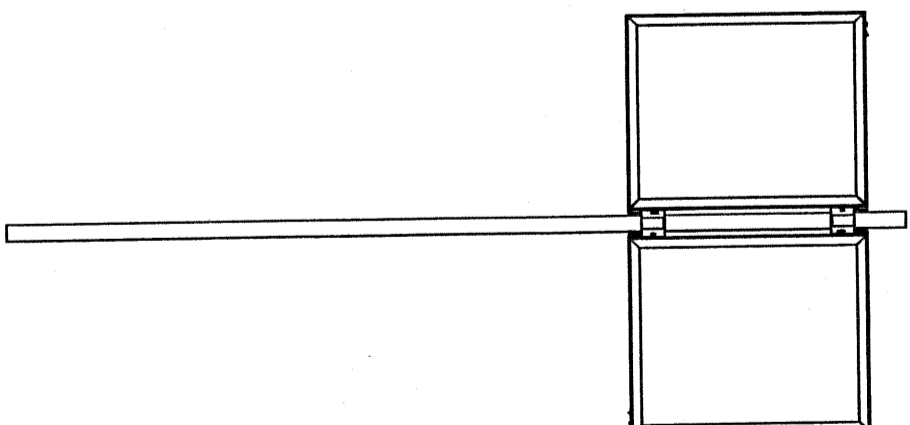
**LIGHT PANEL APPLICATIONS
WITH POLEWORKS**
INSTALLATION INSTRUCTION

INSTRUCTIONS TO INSTALL LIGHT PANEL(S) TO POLE USING UNIVERSAL BRACKETS KIT AND UNI-CLAMPS
UNIVERSAL BRACKET KIT INCLUDES 2 LEFT AND 2 RIGHT BRACKETS, 4 SCREWS #8, 4 NUTS AND
4 FLAT WASHERS.

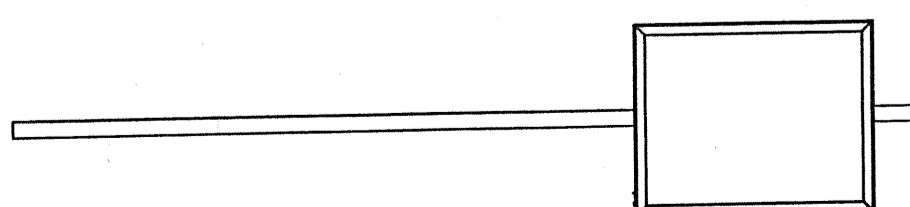
APPLICATION #1
SIDE MOUNT



APPLICATION #2
DOUBLE SIDE MOUNT



APPLICATION #3
CENTER MOUNT



**APPLICATION #1
SIDE MOUNT**

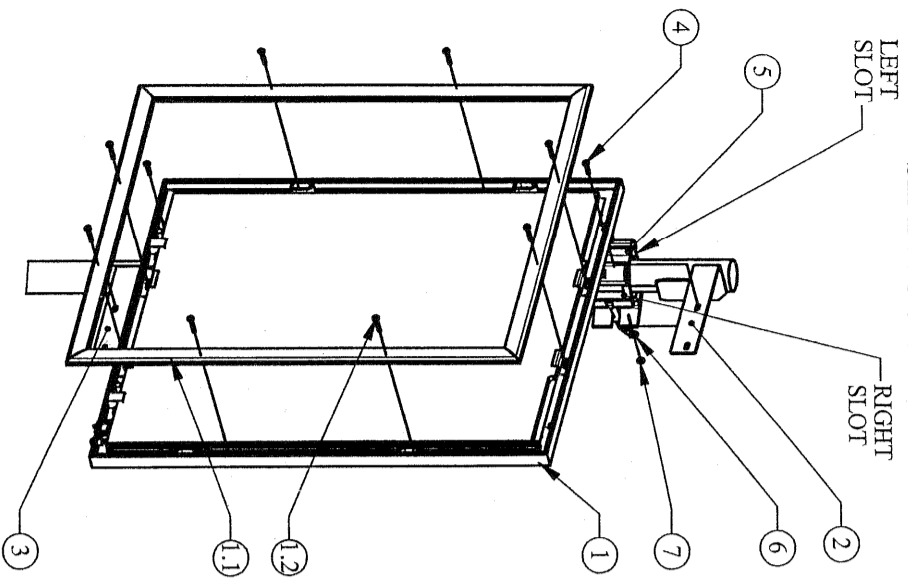


FIG.1

**IMPORTANT NOTE:
BE CAREFUL WITH PROPER ORIENTATION
OF THE BRACKETS (SEE FIG.2)**

- STEP 4 ATTACH LIGHT PANEL ASSEMBLY WITH BRACKETS TO THE UPPER UNI-CLAMP
- STEP 5 ATTACH LOWER UNI-CLAMP UPSIDE-DOWN ON POLE 3"-4" ABOVE BOTTOM OF FRAME.
- STEP 6 SLIDE UNI-CLAMP DOWN CAPTURING LOWER BRACKET TAB INTO CORRESPONDING SLOT (SEE FIG.2).
- TIGHTEN KNOB TO HOLD LOWER UNI-CLAMP AND LOCKING SCREWS ON CORRESPONDING SLOTS OF (2) UNI-CLAMPS FIRMLY.
- STEP 7 ADJUST LIGHT PANEL POSITION BY HORIZONTAL PLANE USING MOUNTING HARDWARE AND LEVELS, PLUMB OR ANOTHER GENERAL LEVEL TOOLS. TIGHTEN MOUNTING SCREWS FIRMLY.
- STEP 8 LOOSEN BAR KNOBS ON (2) UNI-CLAMPS, AND LIFT WHOLE ASSEMBLY UP ALONG POLE ON DESIRED HEIGHT CAREFULLY (LADDERS RECOMMENDED)

#	DESCRIPTION	QTY. FOR APPLICATIONS		
		#1	#2	#3
1	LIGHT PANEL 20" X 24"	1	2	1
1.1	DETACHABLE FRAME	1*	2*	1*
1.2	MACHINE SCREW #8	8*	16*	8*
2	SIDE BRACKET RIGHT	1	2	2
3	SIDE BRACKET LEFT	1	2	2
4	MACHINE SCREW #8	2	4	4
5	UNI-CLAMP		2	
6	FLAT WASHER	2	4	4
7	HEX NUT #8	2	4	4

*PARTS SUPPLIED WITH LIGHT PANEL ASSEMBLY

STEP 1 INSTALL UPPER UNI-CLAMP (ITEM #5) TO THE POLE AT ACCESSIBLE HEIGHT TO MAKE ALL ASSEMBLY OPERATIONS WITHOUT LADDERS, OR ANOTHER FIXTURES. TIGHTEN KNOB TO HOLD UNI-CLAMP FIRMLY, AND LOOSEN LOCKING SCREWS TO OPEN SLIDE-IN SLOTS.

STEP 2 LOOSEN SCREWS #8 (ITEM #1.2) AND DETACH FRAME (ITEM #1.1) FROM LIGHT PANEL TO HAVE ACCESS TO ITS MOUNTING HOLES. SEE INSTRUCTION SHEET SUPPLIED WITH LIGHT PANEL

STEP 3 INSTALL (2) BRACKETS (ITEM #2, #3) TO LIGHT PANEL USING (2) MACHINE SCREWS (ITEM #2), FLAT WASHERS (ITEM #8) AND NUTS (ITEM #7). DON'T TIGHTEN MOUNTING HARDWARE FIRMLY UNTIL LIGHT PANEL IS BEING ADJUSTED IN STEP 6

RIGHT PANEL ORIENTATION SHOWN FOR INSTANCE

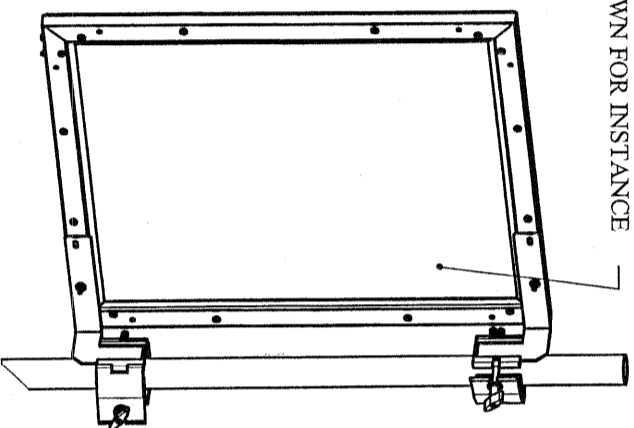


FIG.2
BACK ISOVIEW
AFTER ASSEMBLY

**APPLICATION #2
DOUBLE SIDE MOUNT**

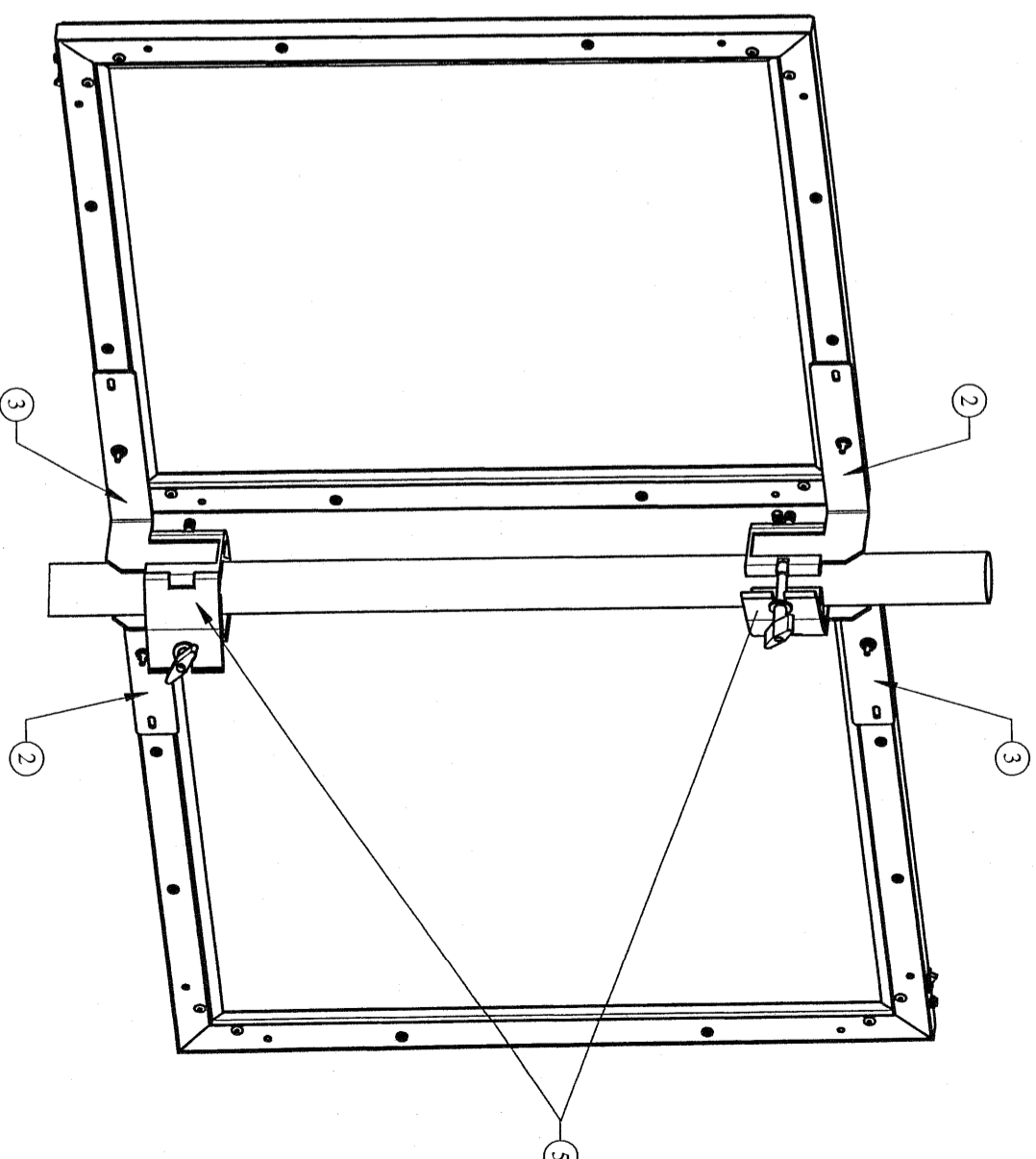


FIG.3
BACK ISOVIEW
AFTER ASSEMBLY

TO INSTALL THIS APPLICATION TYPE USE THE SAME STEPS AS FOR APPLICATION #1, PAGE 2.
REPEAT STEPS 1, 2 FOR SIDE MOUNT APPLICATION AND USING (2) LIGHT PANELS
STEP 3: INSTALL (4) BRACKETS TO LIGHT PANELS WITH PROPER ORIENTATION (SEE FIG.3)
REPEAT STEPS 4 THROUGH 8 FOR FOR SIDE MOUNT APPLICATION