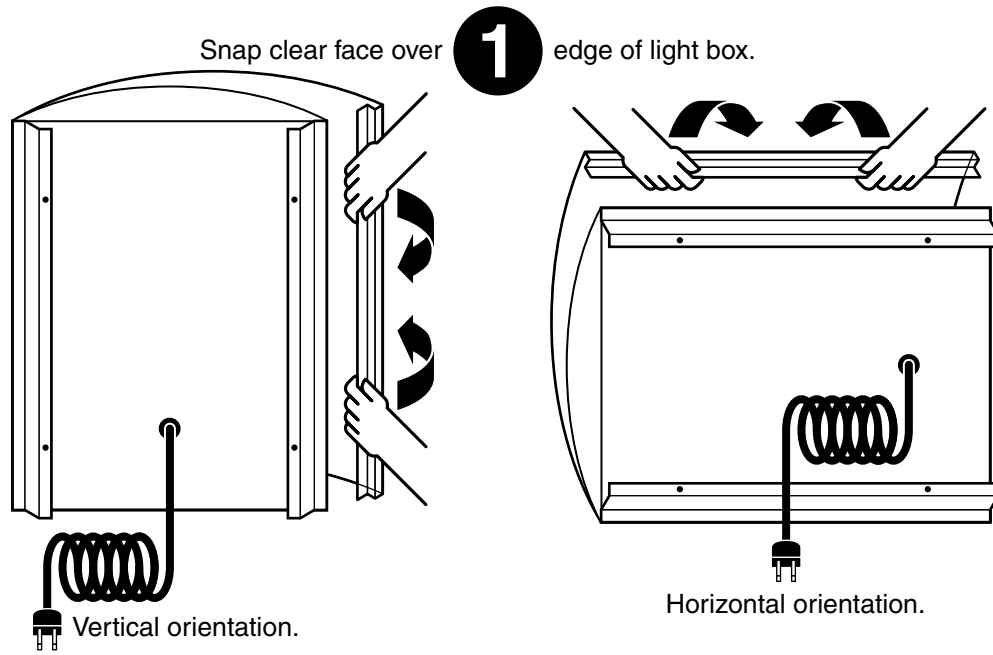
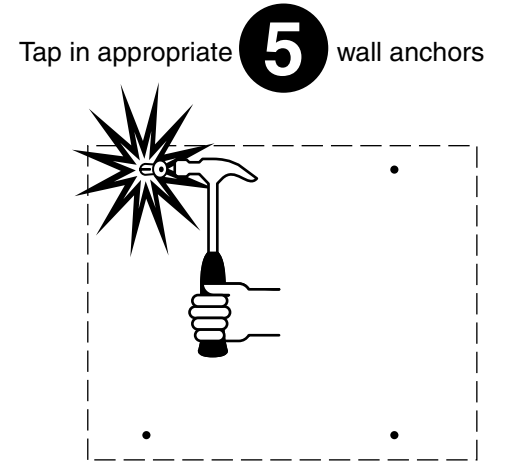
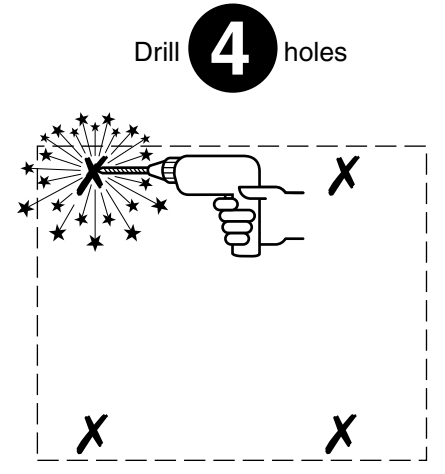
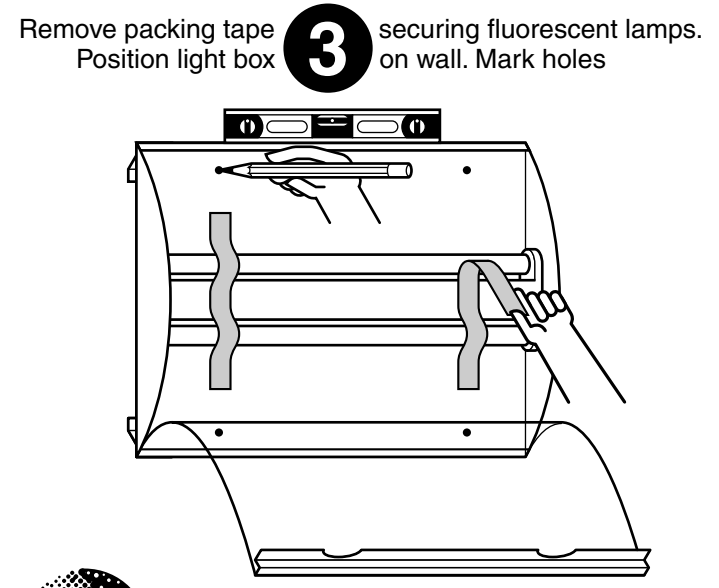


Convex Light Box - Wall Mounting Instructions

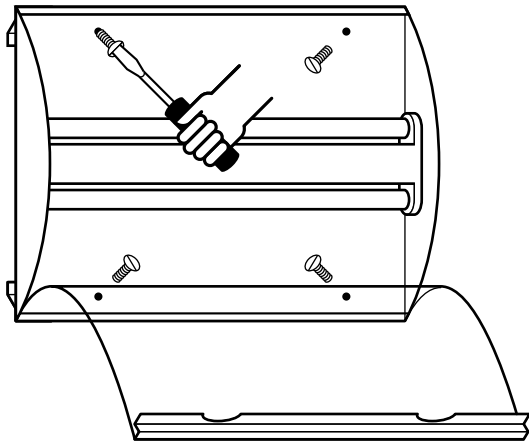


NOTE: Light box maybe hung either horizontal or vertical, mounting instructions are the same for both. Page 1

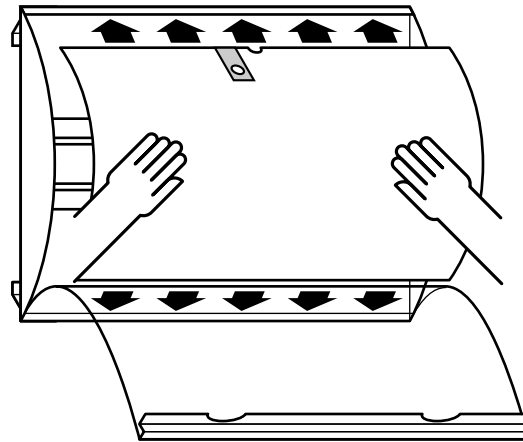


Convex Light Box - Wall Mounting Instructions

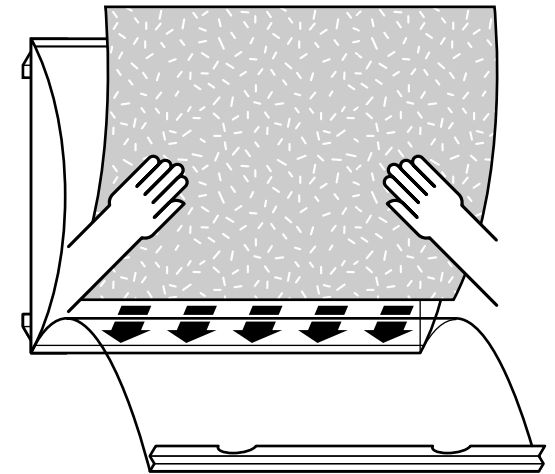
Screw light **6** box to wall.



Replace **7** diffuser.



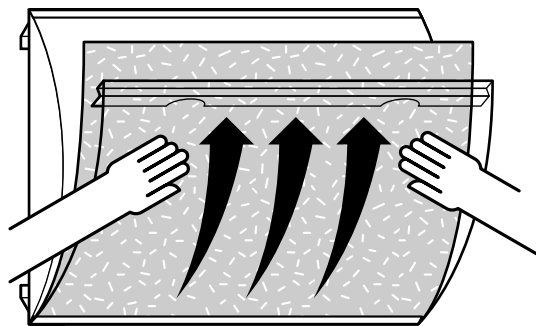
Tuck poster under **8** clear face.



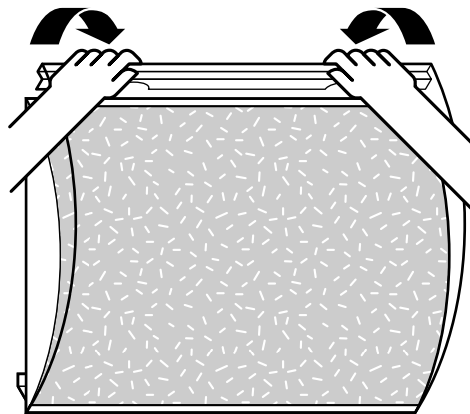
NOTE: Light box maybe hung either horizontal or vertical, mounting instructions are the same for both.

Page 2

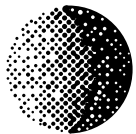
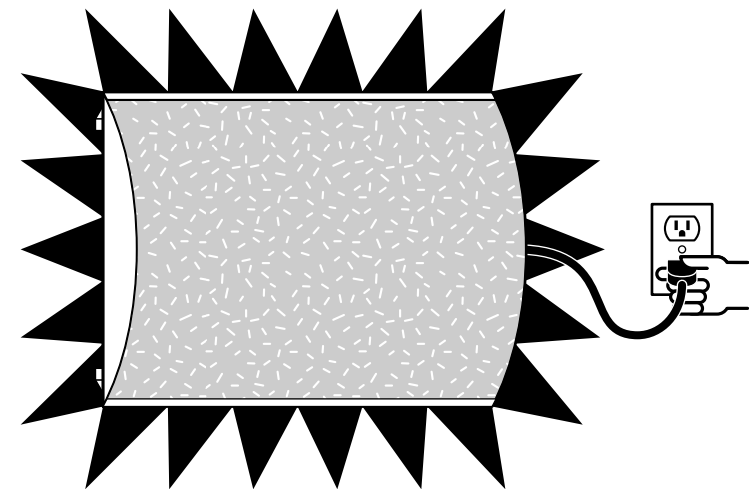
Wrap poster and clear **9** face around light box.



Snap clear face over **10** edge of light box.



Plug **11** in.

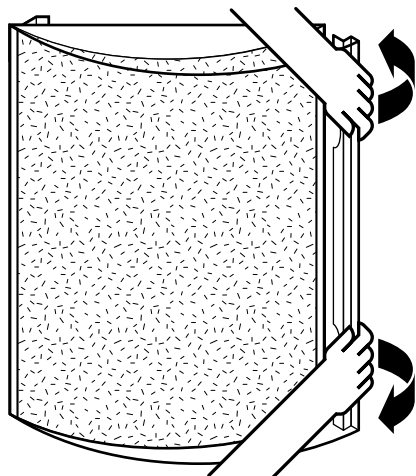


MDI

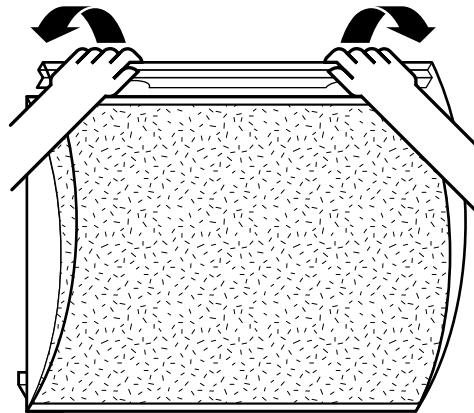
SK-03921

Convex Light Box - Poster Installation

Snap clear face over **1** edge of light box.

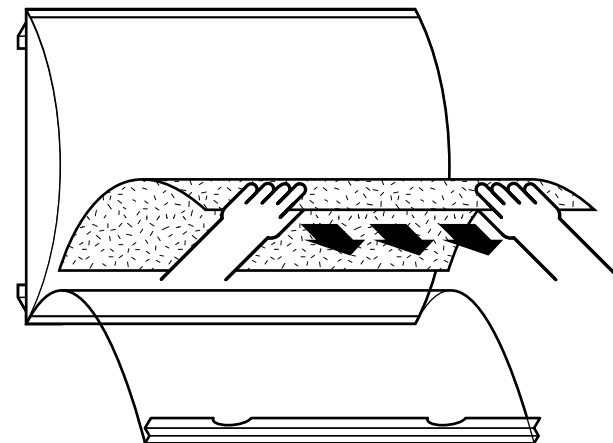


Vertical orientation.

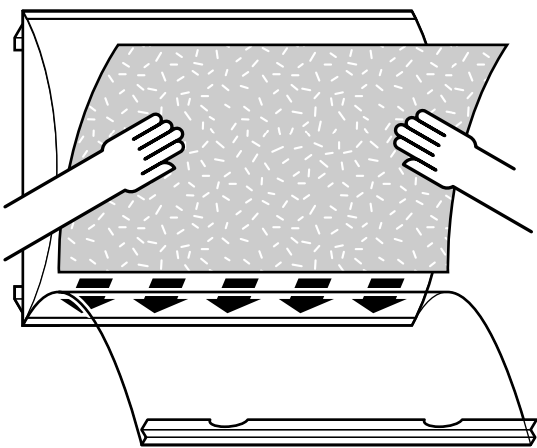


Horizontal orientation.

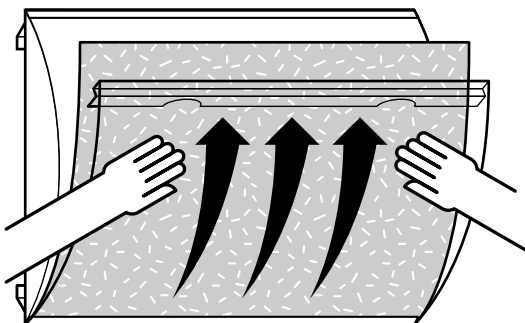
Pull out **2** old poster.



Tuck new poster **3** under clear face.



Wrap poster and clear **4** face around light box.



Snap clear face over **5** edge of light box.

