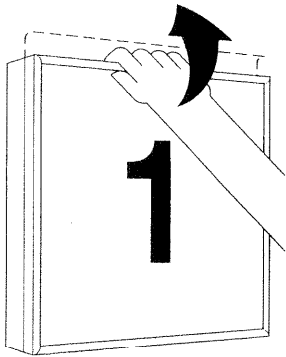


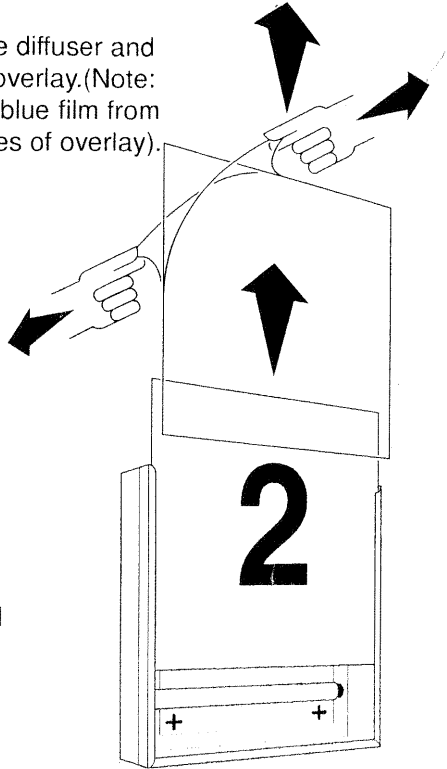
Edge Load Lightbox Instruction Sheet

Flip up edge load frame rail.



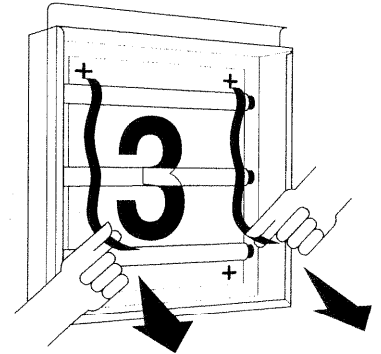
1

Remove diffuser and plastic overlay. (Note: remove blue film from both sides of overlay).



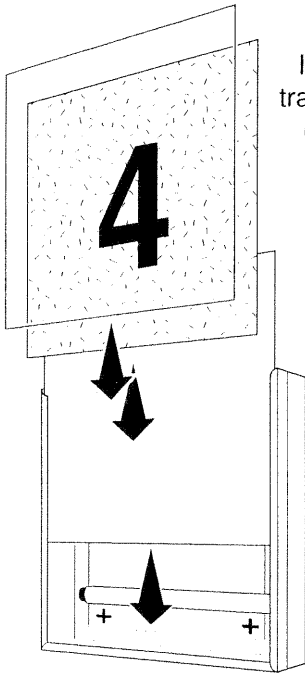
2

Remove tape from lamps.



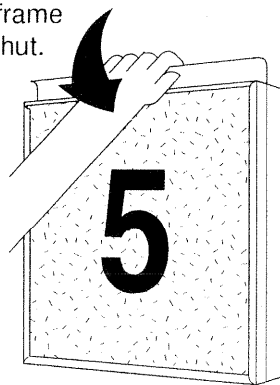
3

Insert diffuser, transparency and clear overlay.

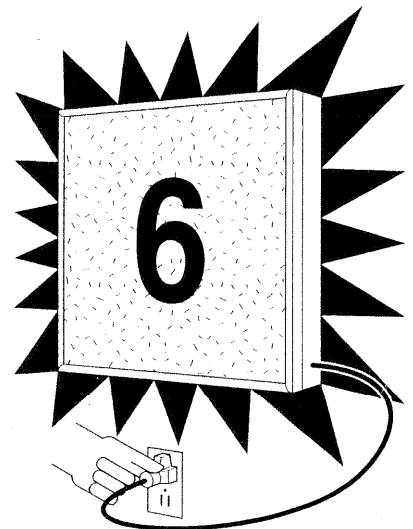


4

Snap frame rail shut.

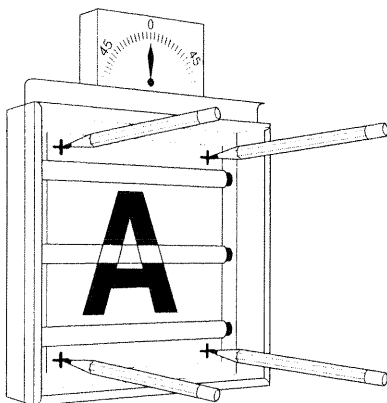


5



6

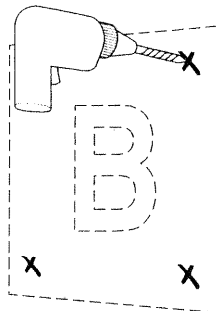
Mark upper and lower mounting holes.



A

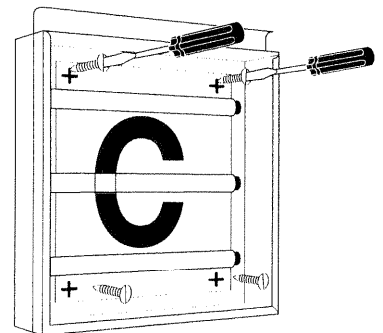
Mounting Instructions

Drill holes in wall.



B

Attach appropriate hardware.
(Hardware not included).



C

Note: Before installation, purchase appropriate wall-mounting hardware. Replacement lamps available thru MDI.

